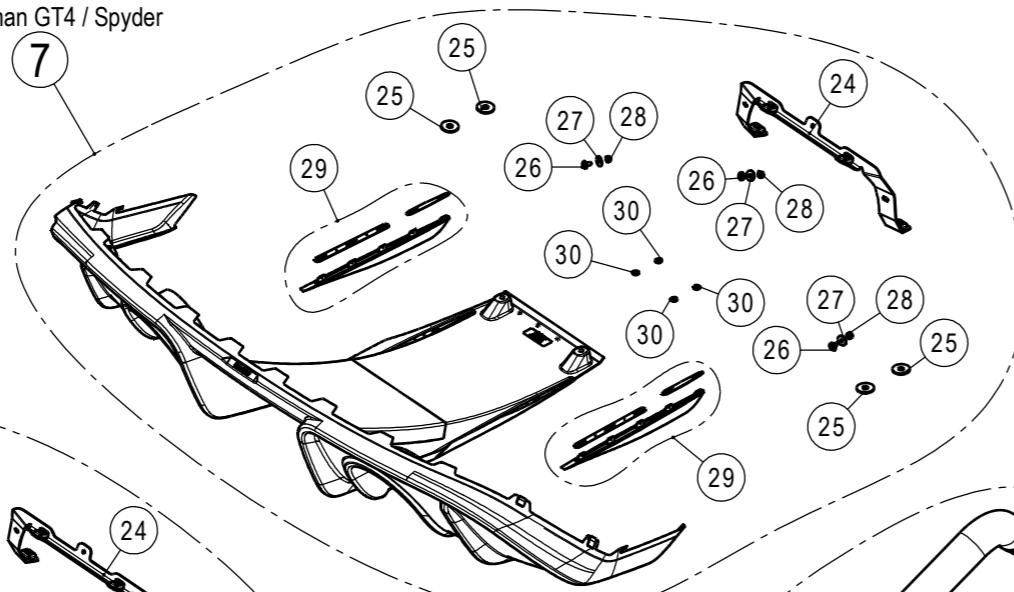
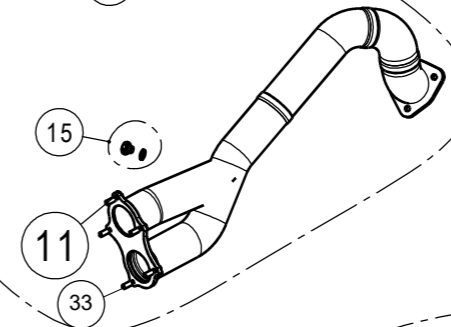
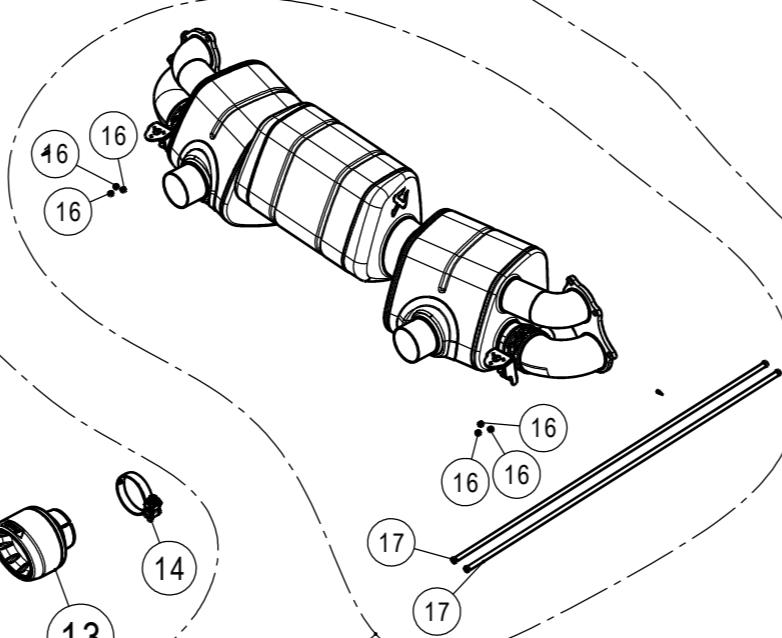
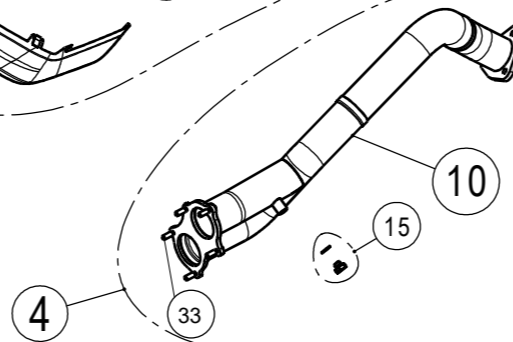
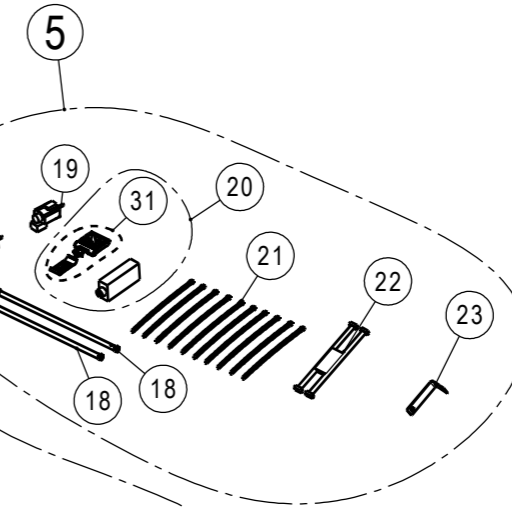
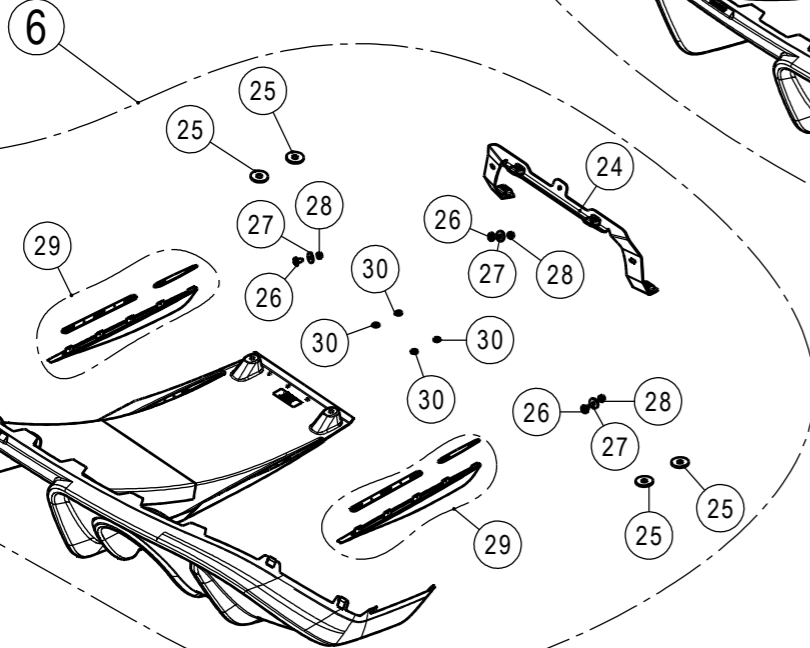


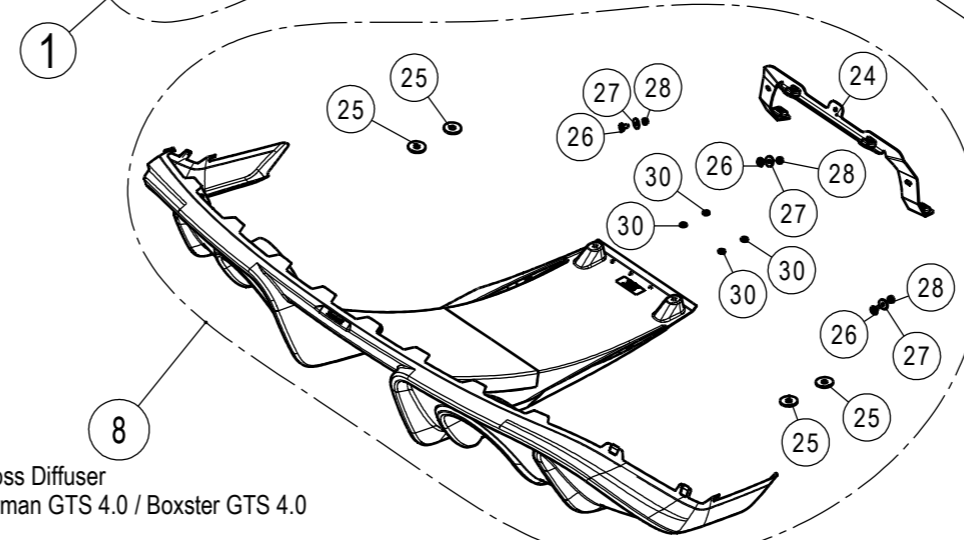
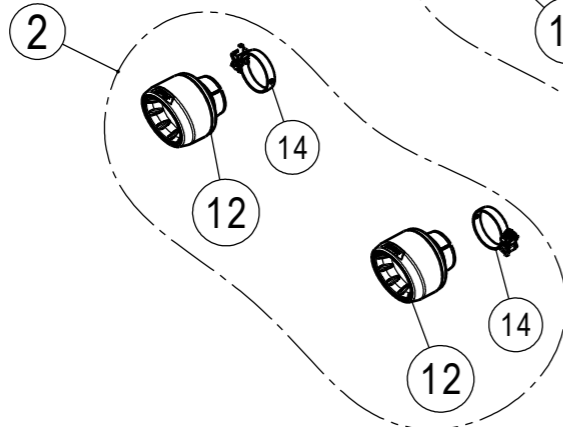
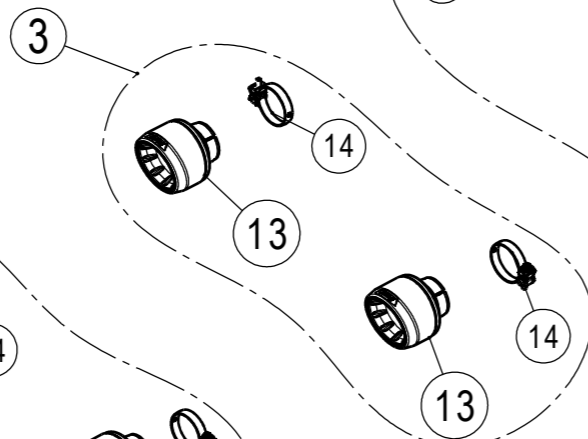
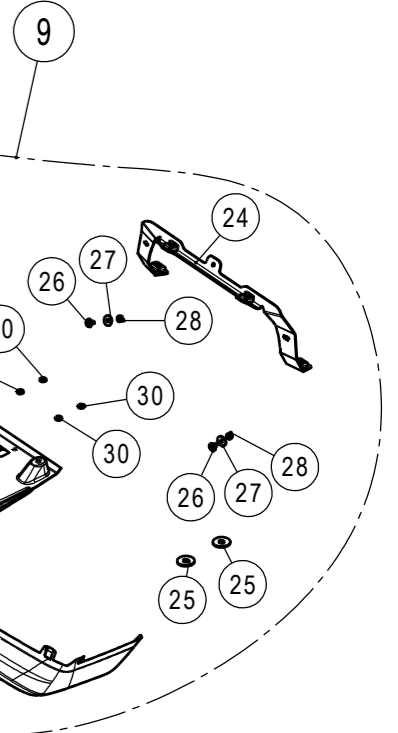
High Gloss Diffuser  
718 Cayman GT4 / Spyder



Matte Diffuser  
718 Cayman GT4 / Spyder



Matte Diffuser  
718 Cayman GTS 4.0 / Boxster GTS 4.0



High Gloss Diffuser  
718 Cayman GTS 4.0 / Boxster GTS 4.0

No.	SalesCode	Description	Qty.
4	L-PO/T/13/1	Link pipe set	1
10	L-PO/T/13/L/1	link pipe TI left	1
11	L-PO/T/13/R/1	link pipe TI right	1
15	P-HF1336	EGT plug	2
32	P-FB166	shaft SS	2
33	P-FB205	bolt	10