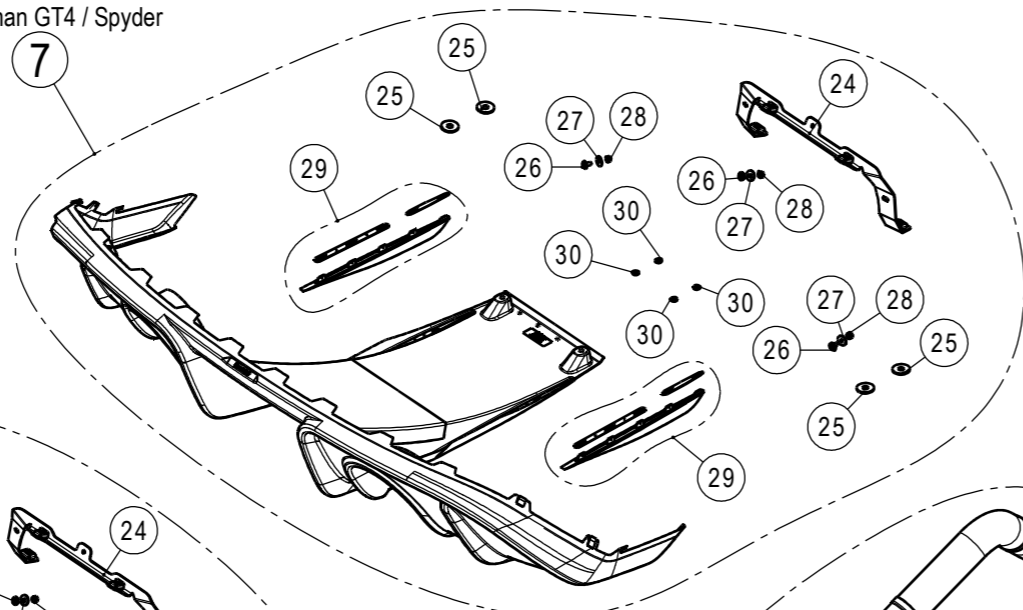
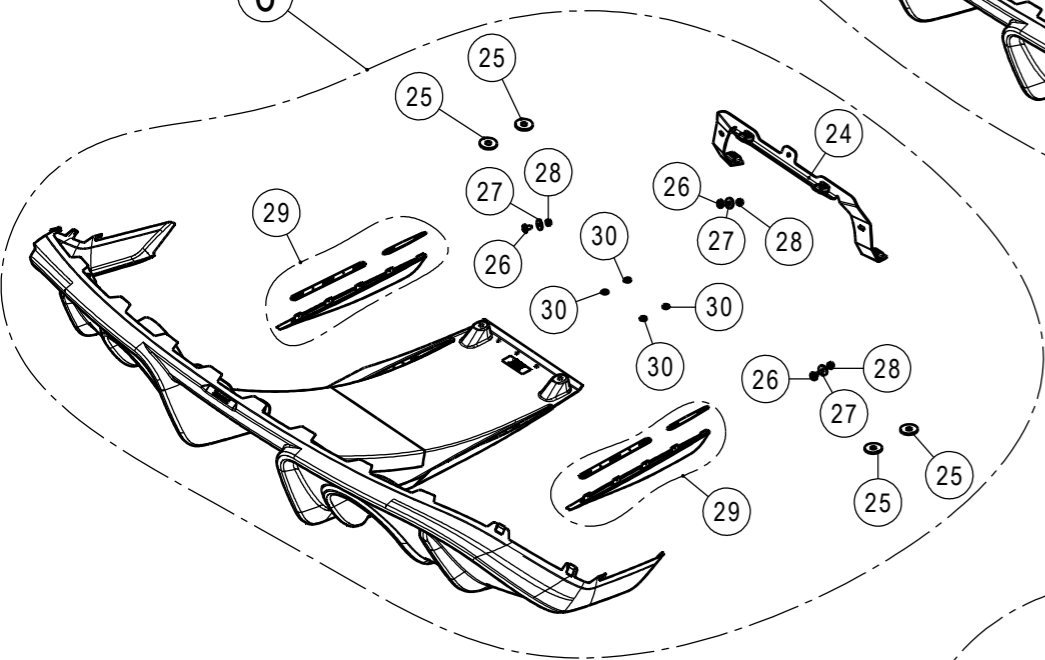


High Gloss Diffuser
718 Cayman GT4 / Spyder

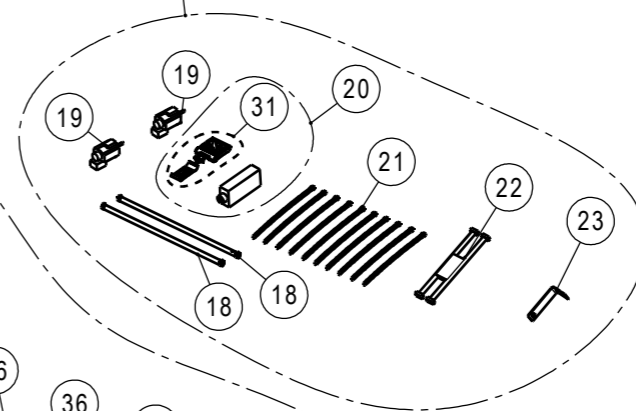


Matte Diffuser
718 Cayman GT4 / Spyder

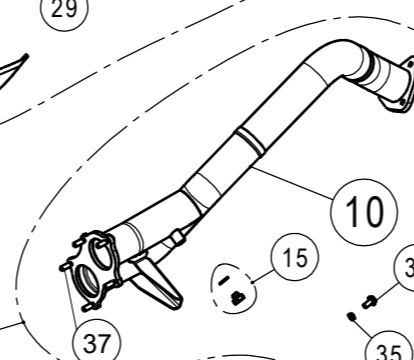
6



5

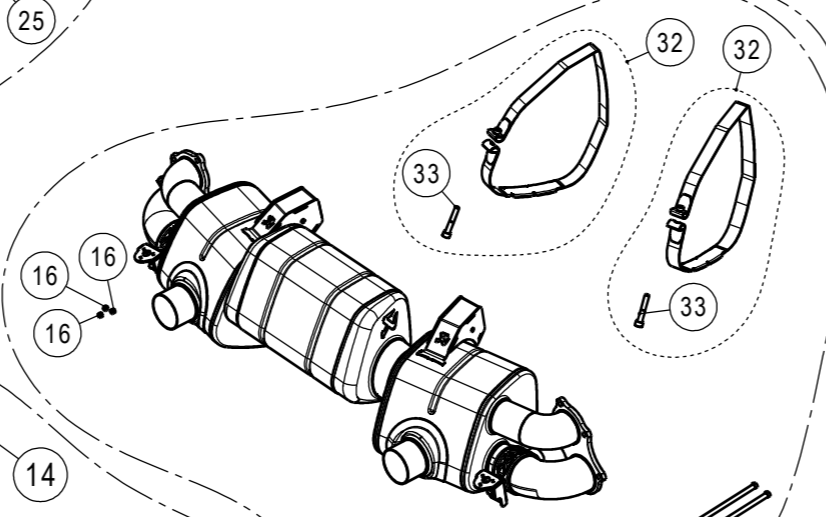
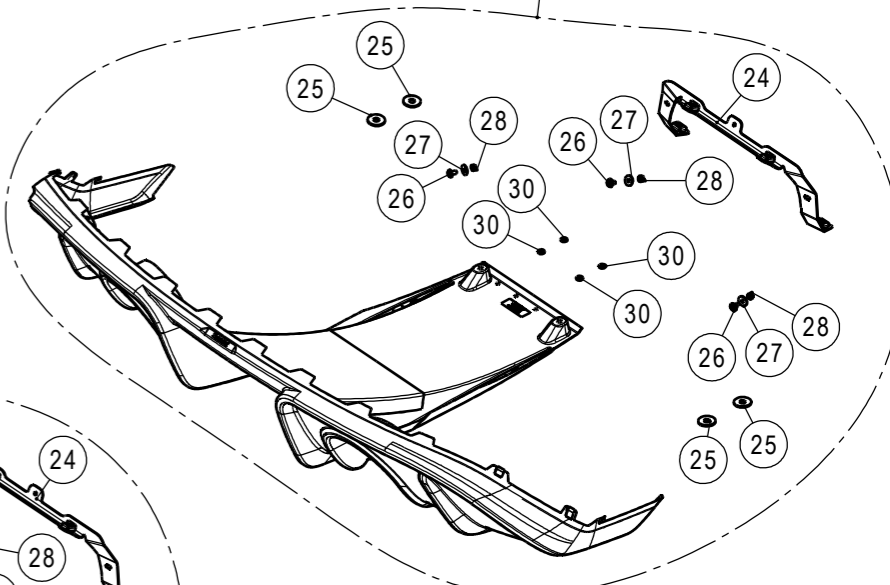


4

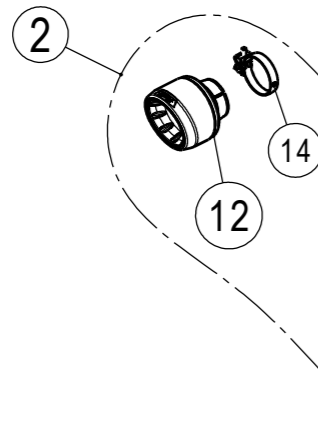


Matte Diffuser
718 Cayman GTS 4.0 / Boxster GTS 4.0

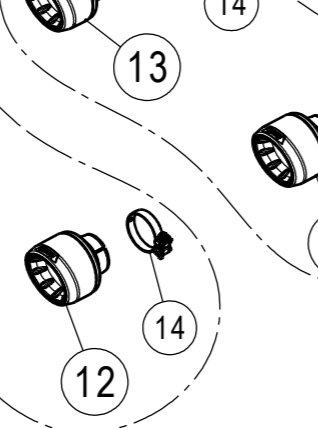
9



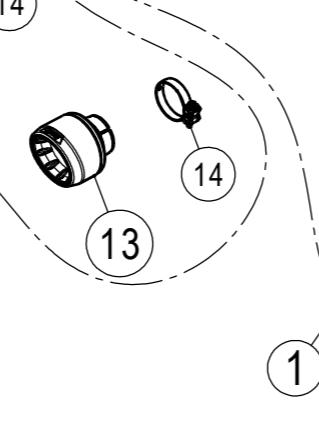
3



2

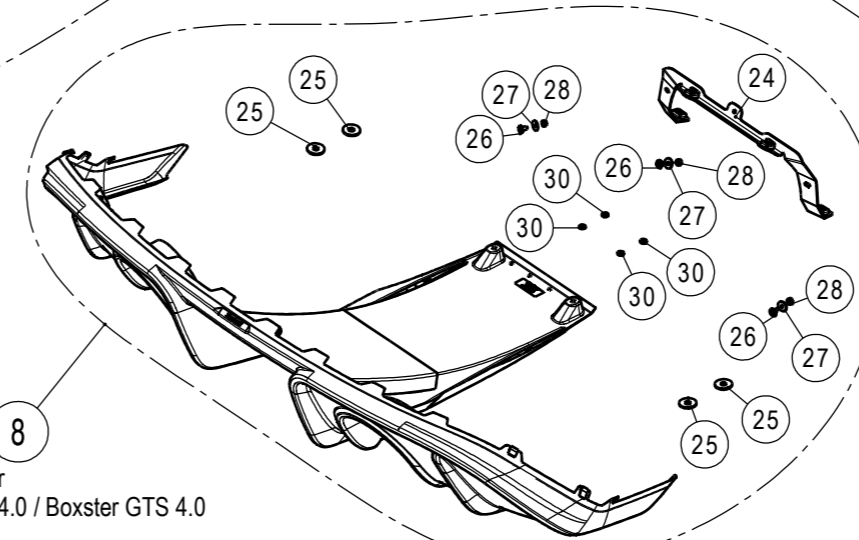


12



13

1



8

High Gloss Diffuser
718 Cayman GTS 4.0 / Boxster GTS 4.0

No.	SalesCode	Description	Qty.
4	L-PO/T/13	Link pipe set	1
10	L-PO/T/13/L	link pipe TI left	1
11	L-PO/T/13/R	link pipe TI right	1
15	P-HF1336	EGT plug	2
34	P-FB153	bolt	2
35	P-FN7	nut	2
36	P-FB166	shaft SS	2
37	P-FB205	bolt	10