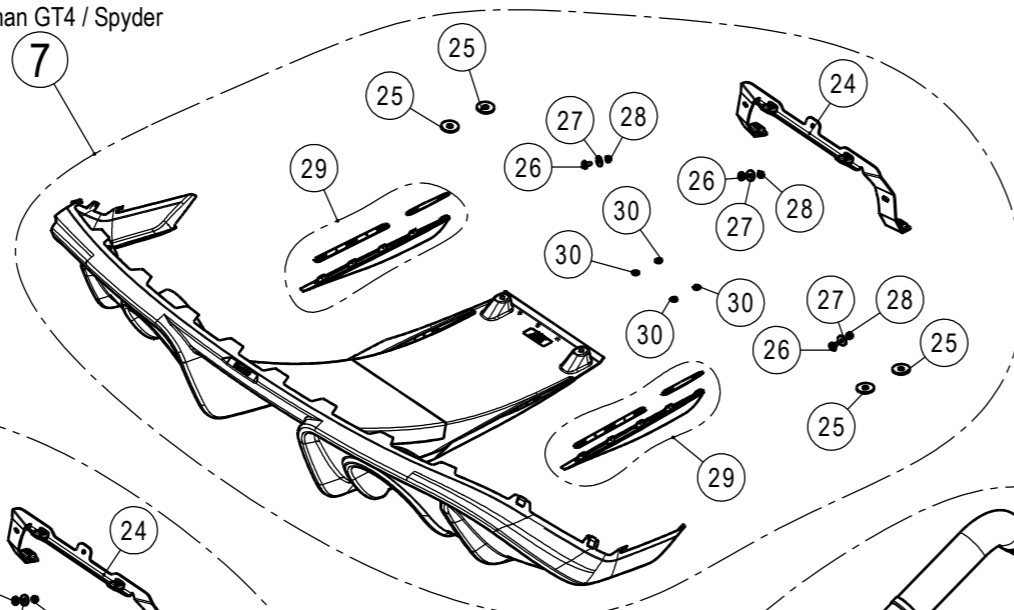
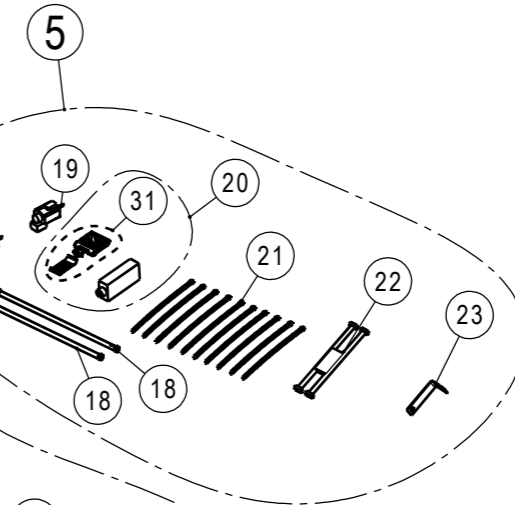
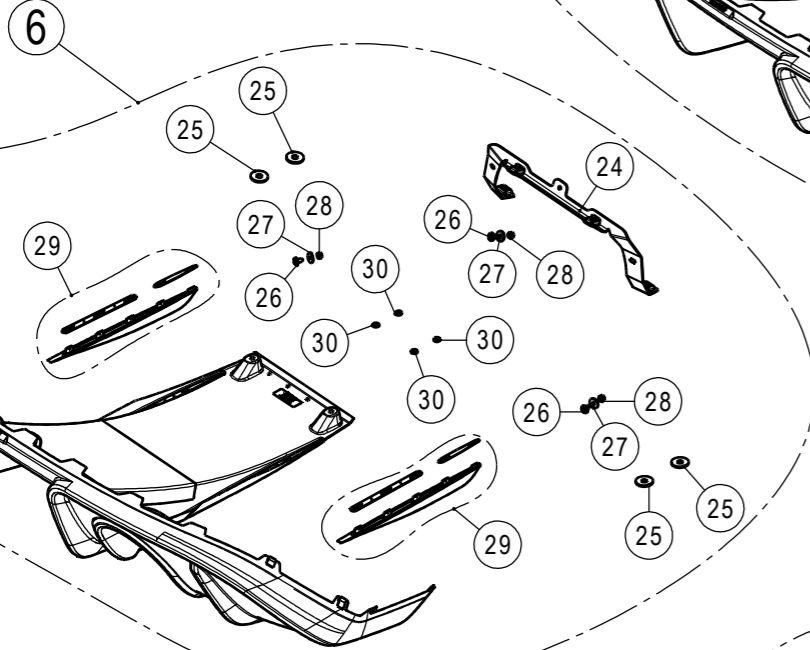


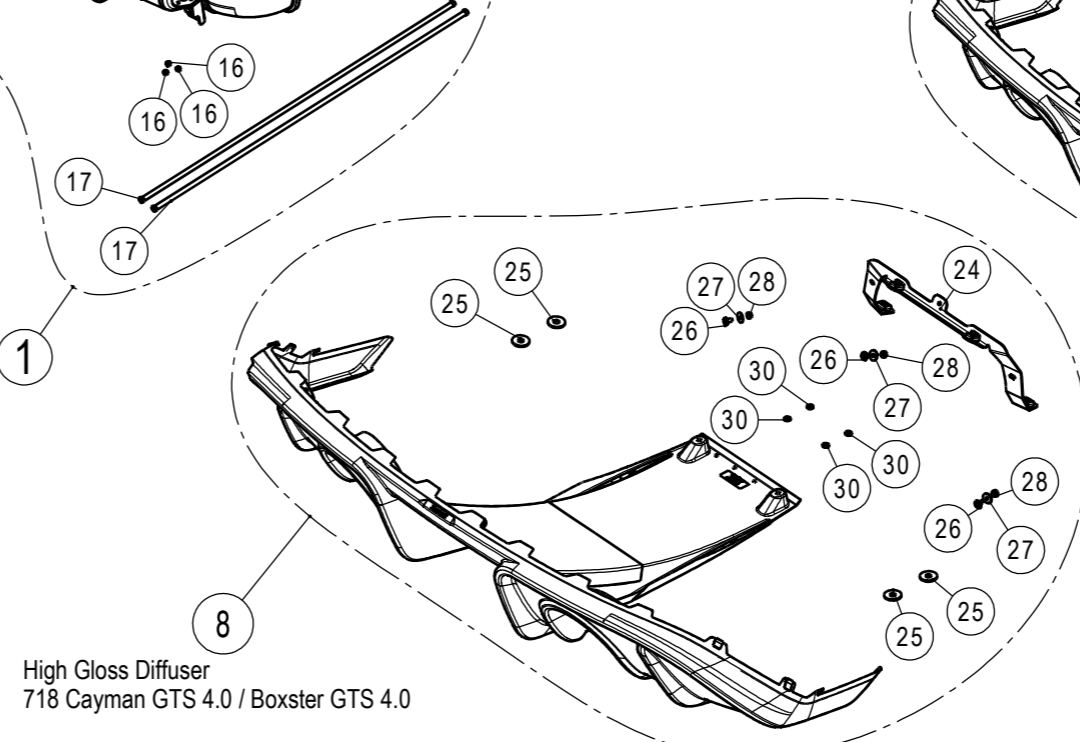
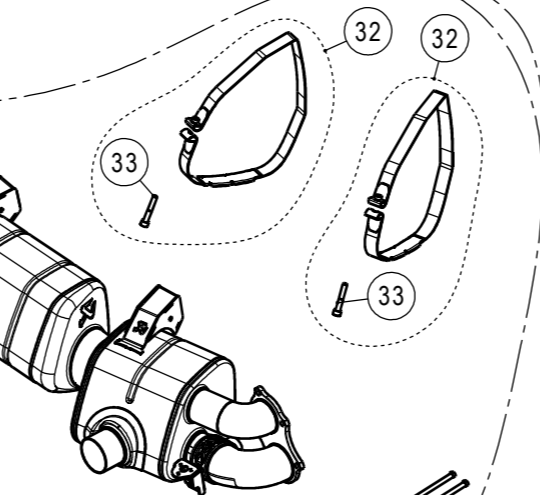
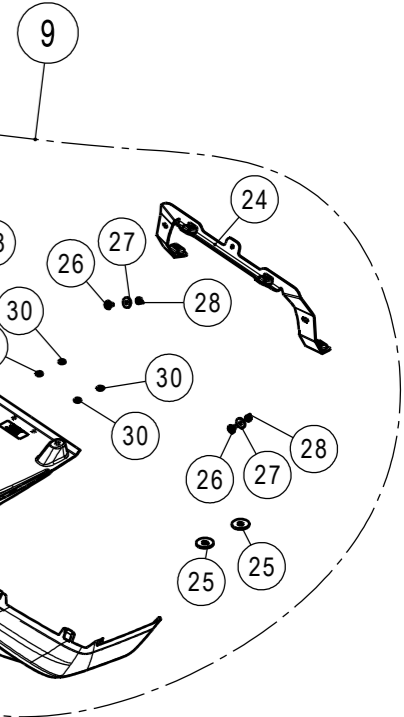
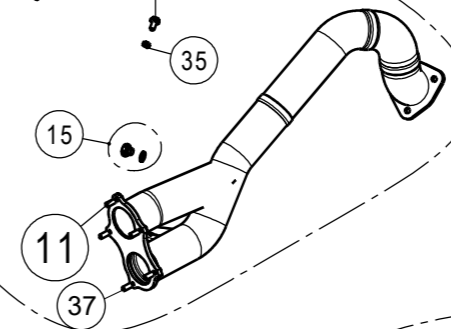
High Gloss Diffuser  
718 Cayman GT4 / Spyder



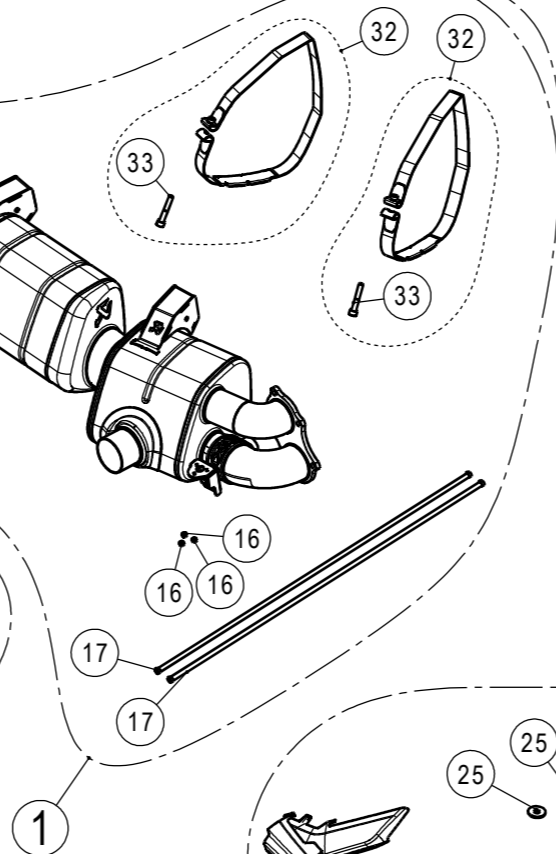
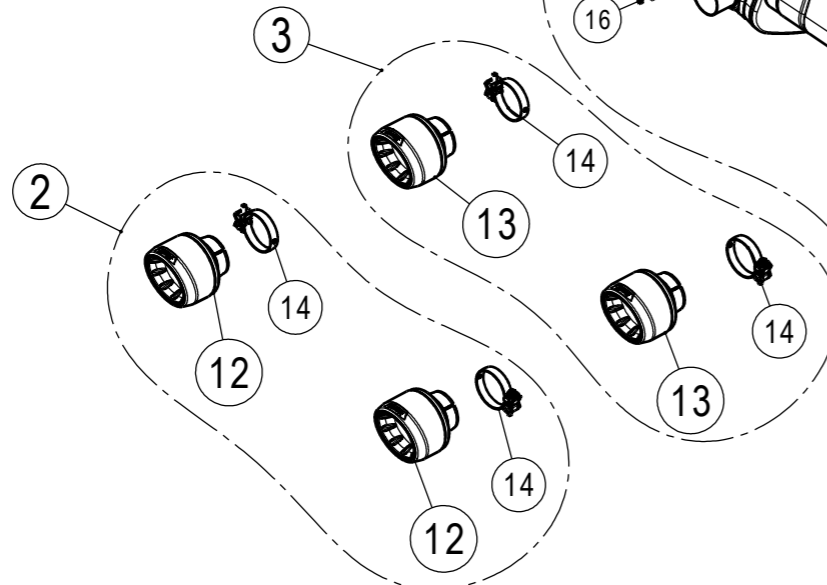
Matte Diffuser  
718 Cayman GT4 / Spyder



Matte Diffuser  
718 Cayman GTS 4.0 / Boxster GTS 4.0



High Gloss Diffuser  
718 Cayman GTS 4.0 / Boxster GTS 4.0



No.	SalesCode	Description	Qty.
1	S-PO/TI/18	slip on system	1
2	TP-T/S/27	tail pipe set TI	1
3	TP-T/S/28	tail pipe set TI black	1
4	L-PO/T/13	Link pipe set	1
5	P-HF1293	akrapovic sound kit opt.	1
6	DI-PO/CA/8/M	rear CA diffuser Matt	1
7	DI-PO/CA/8/G	rear CA diffuser Glossy	1
8	DI-PO/CA/8/G/1	rear CA diffuser Glossy	1
9	DI-PO/CA/8/M/1	rear CA diffuser Matt	1
10	L-PO/T/13/L	link pipe TI left	1
11	L-PO/T/13/R	link pipe TI right	1
12	TP-T/S/27/1	tail pipe TI	2
13	TP-T/S/28/1	tail pipe TI black	2
14	P-R67	clamp SS	2
15	P-HF1336	EGT plug	2
16	P-FN29	nut	6
17	P-GUV017	rubber pipe	2
18	P-GUV018	rubber pipe	2
19	P-HF1339	electromagnetic valve	2
20	P-HF841-A5	fitting kit Keyfob+Receiver Control kit	1
21	P-VEZ2	tie wrap	10
22	P-HF1338	cable/wire harness	1
23	P-X117	bracket	2
24	P-X274	bracket	1
25	P-DR169	washer PA	4
26	P-FB152	bolt	3
27	P-DR3	washer SS	3
28	P-FN19	nut	3
29	P-HF1334	fitting kit	2
30	P-DR168	washer PA	4
31	P-HF841/2	sound controller UNI #2	1
32	P-MCSEP2	muffler clamp SS	2
33	P-FB111	bolt	2
34	P-FB153	bolt	2
35	P-FN7	nut	2
36	P-FB166	shaft SS	2
37	P-FB205	bolt	10